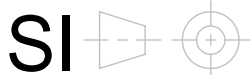
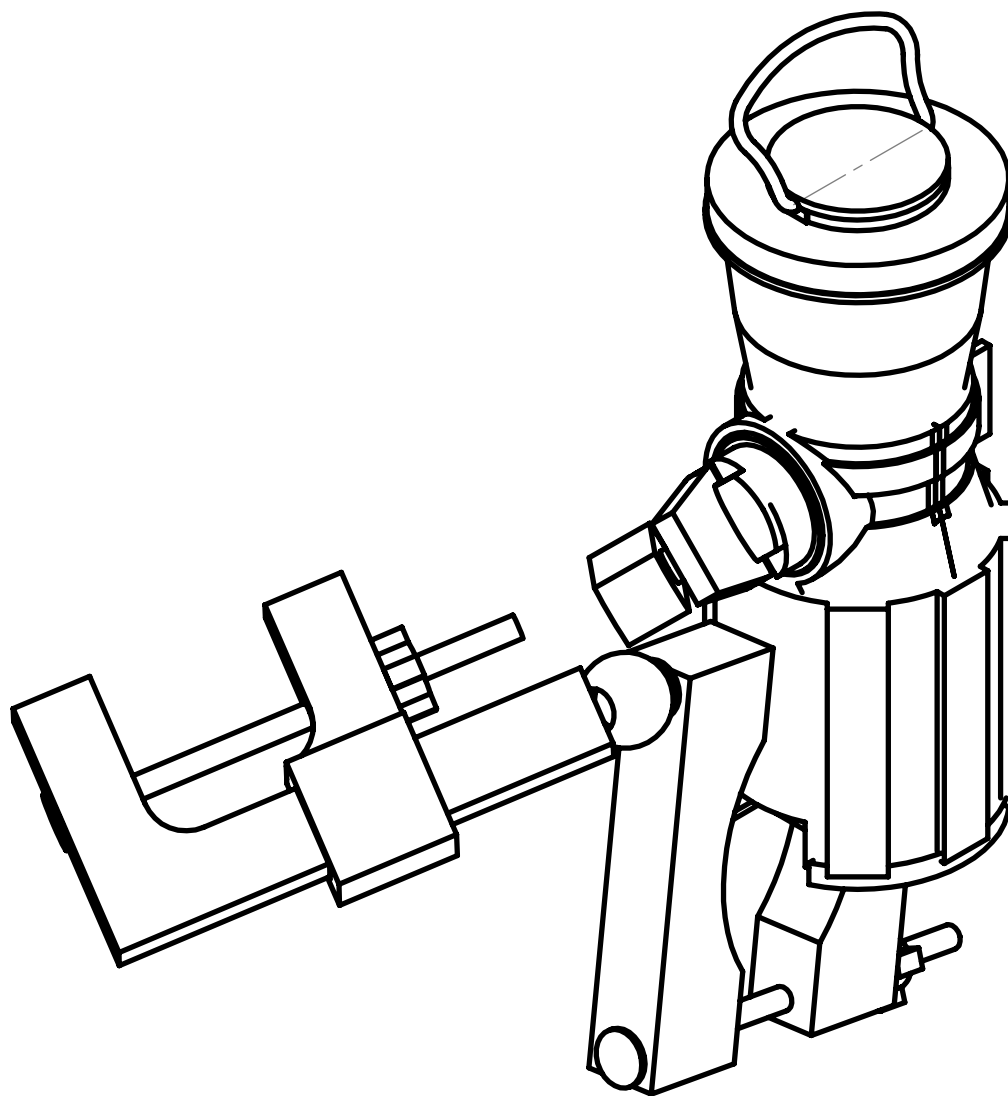


THE INFORMATION CONTAINED IN THIS DRAWING IS THE SOLE PROPERTY OF NC STATE UNIVERSITY. ANY REPRODUCTION IN PART OR WHOLE WITHOUT THE WRITTEN PERMISSION OF NC STATE UNIVERSITY IS PROHIBITED.
FILE: LED Lantern Assembly_Gray



NORTH CAROLINA STATE UNIVERSITY

P.O. BOX 7801
Raleigh, North Carolina

UNLESS OTHERWISE SPECIFIED
DIMENSIONS ARE IN MILLIMETERS
TOLERANCES ARE:
FRACTIONS DECIMALS ANGLES
+ .XX+ .XX + 1
.XXX+.XXX

DRAWN

GRAY, AUSTON

DATE

4/24/2017

TITLE

COMPRESSED ASSEMBLY

MATERIAL

SEE BILL OF MATERIALS

SCALE

2 : 3

SIZE

A

PRT. NO.

2 of 2

#

1